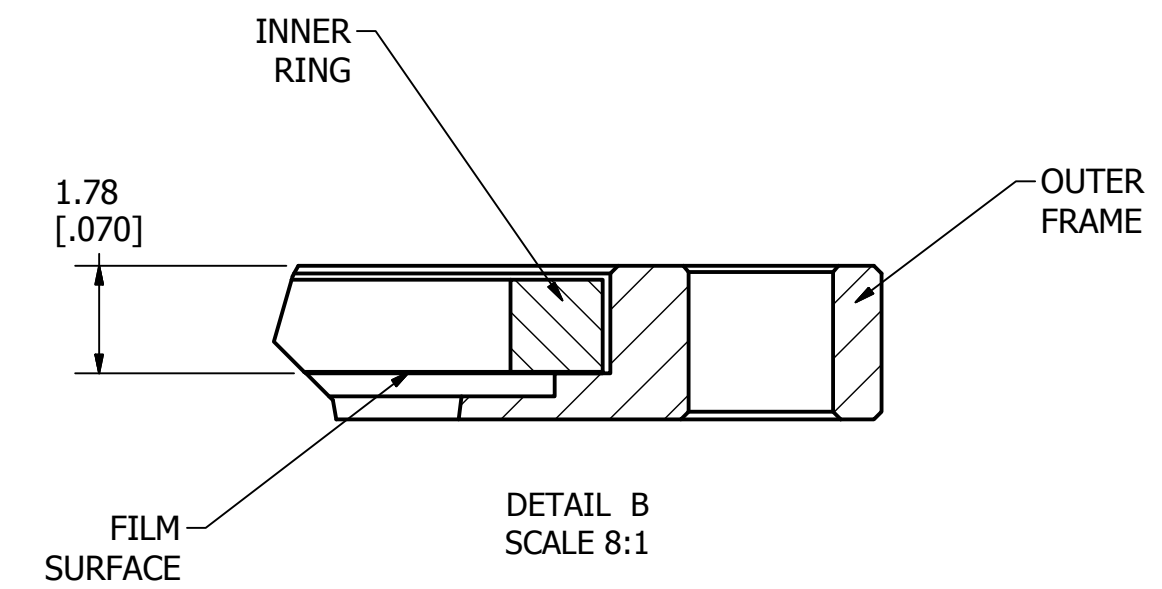
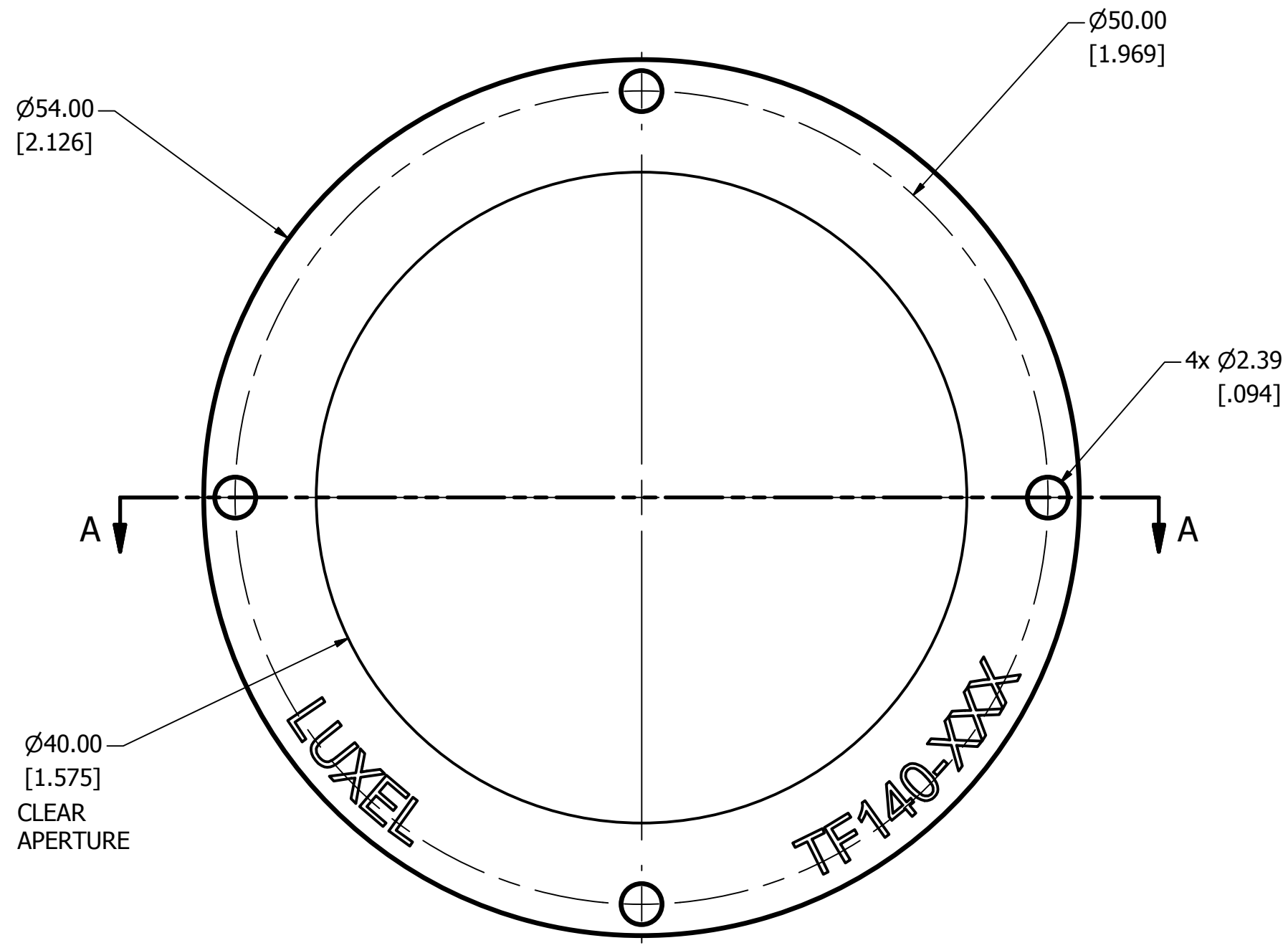
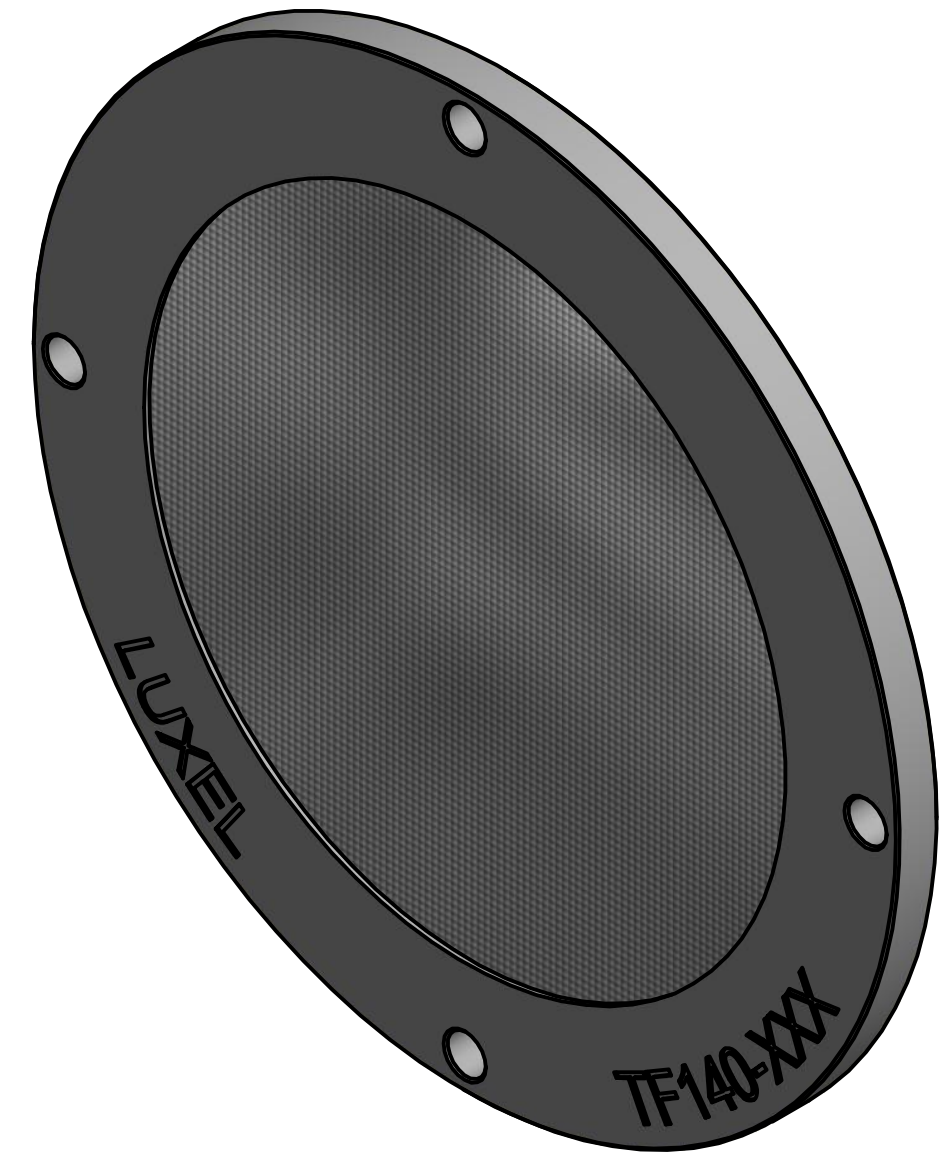
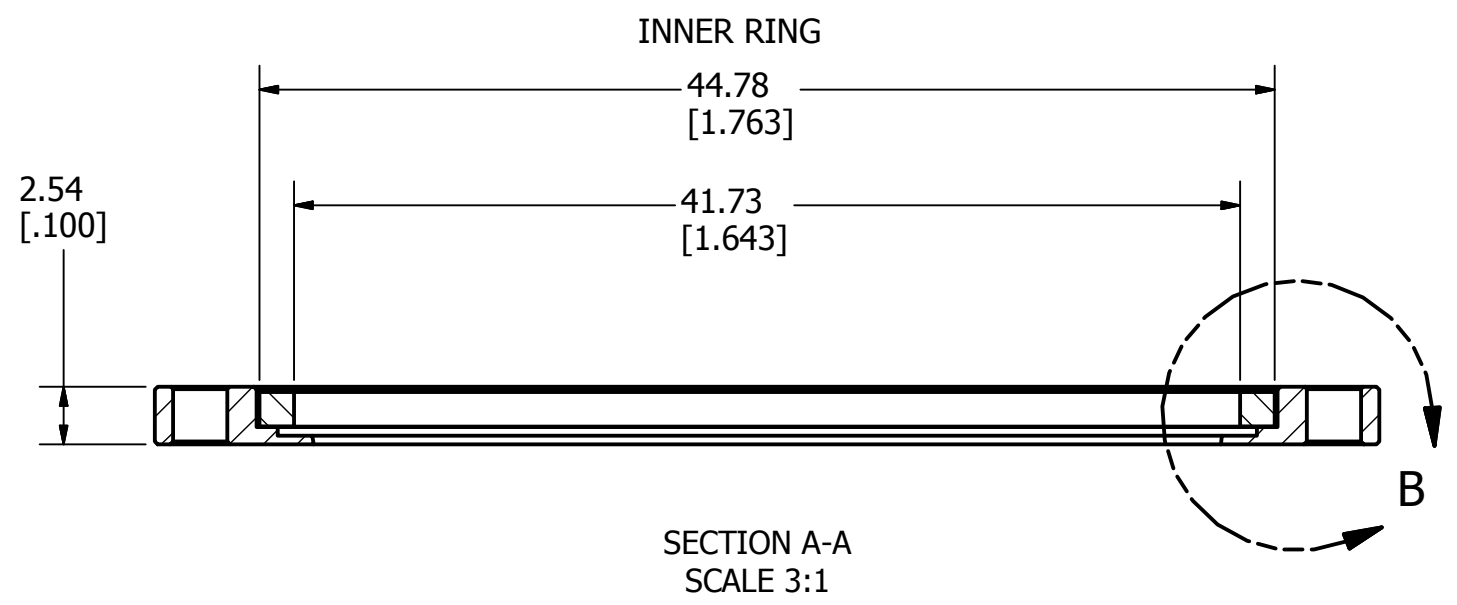


4 3 2 1



SERIAL NUMBER ENGRAVED PRIOR TO ANODIZE
ANODIZED PER MIL 8625 TYPE II CL II BLACK STANDARD
CUSTOM APERTURES AVAILABLE UPON REQUEST
ALTERNATE UNITS IN INCHES

Frame	Aperture	Material	Finish
TF-140	40mm(1.575)"*	Al=6061 Al*	BA=Black Anodize
		SS=304 Stainless	NA=No Anodize
		Cu=Copper	

* STANDARD How to order example: TF140-40-Al-BA

DRAWN	JLDG	11/22/2013
CHECKED		
MATERIAL	6061 T651 Al	
UNLESS OTHERWISE SPECIFIED, DIMENSIONS ARE IN MILLIMETERS TOLERANCES ON:		
DECIMALS: .X = ± .25		
.XX = ± .13		
.XXX = ± .030		
ANGLES = ± .25°		

LUXEL **Luxel Corporation**
 60 Saltspring Dr, PO Box 1879,
 Friday Harbor, WA 98250
 www.luxel.com
 360-378-4137 fax: 360-378-4266

TF140 Standard Filter Frame

SIZE	DWG NO	REV
C	TF140S	
SCALE	SHEET 1 OF 1	



4 3 2 1