

4

3

2

1

11.00

.56

CERAMIC TC
PLUG (3)

D

D

C

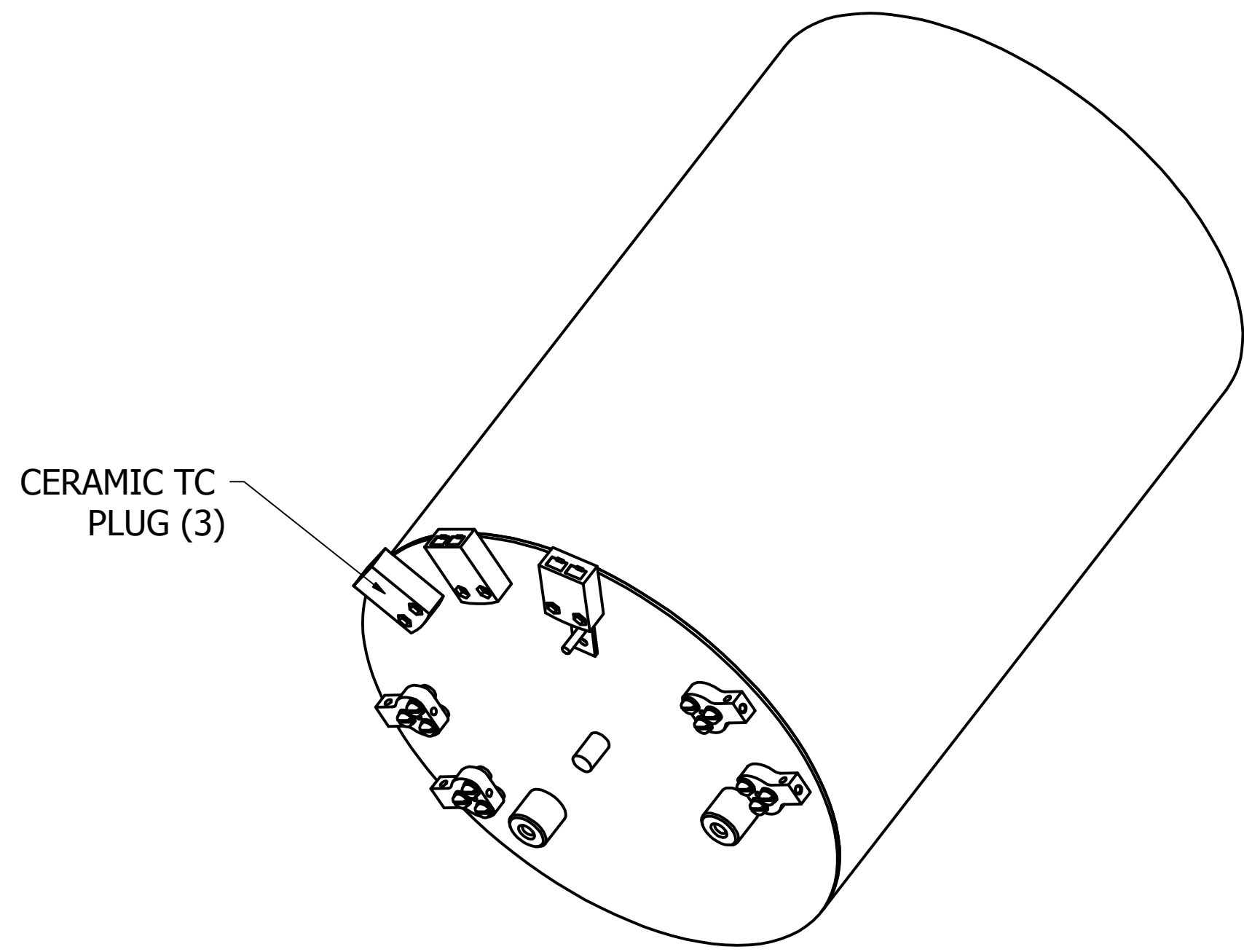
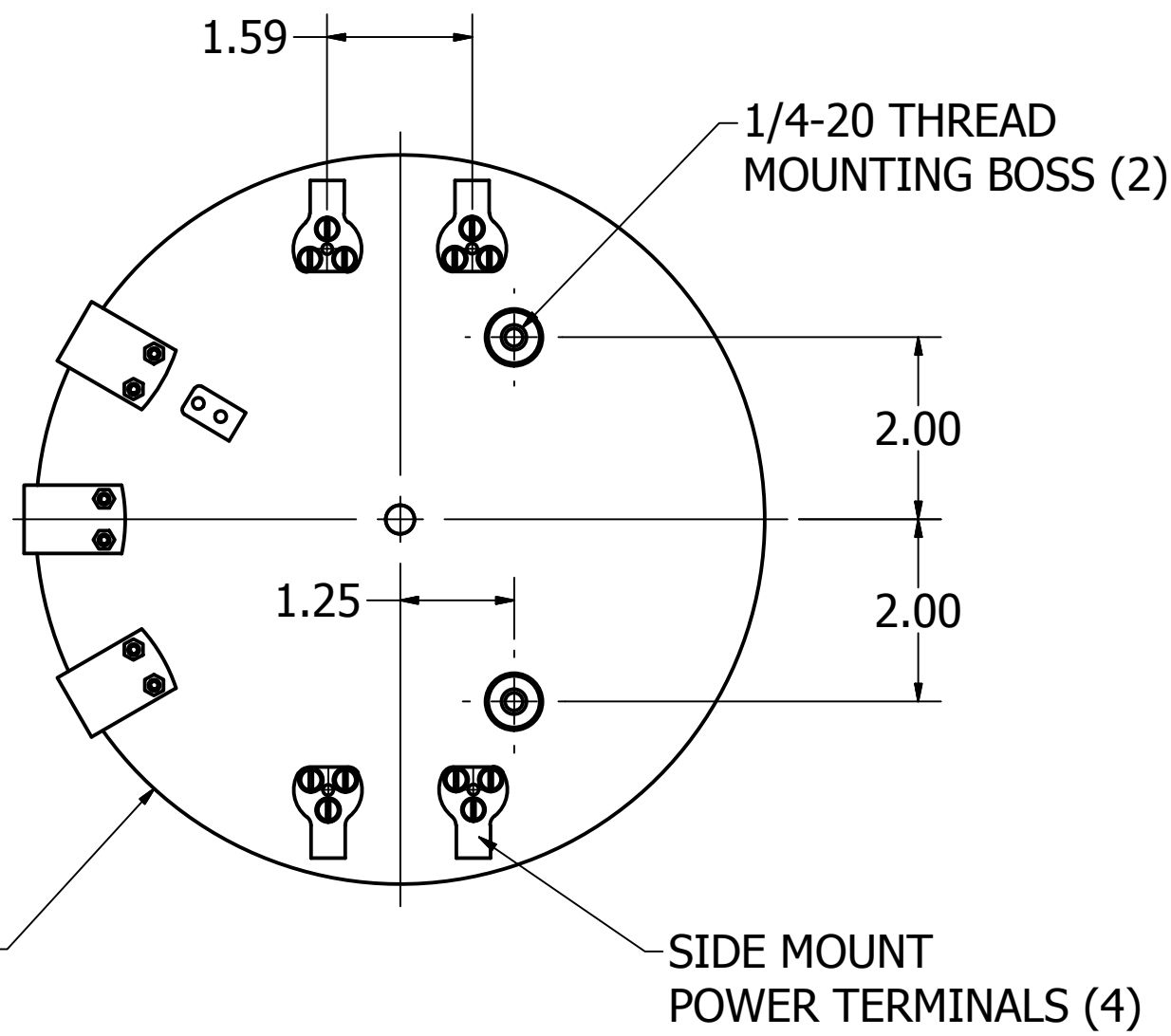
C

B

B

A

A



DRAWN	10/7/2011
CHECKED	
MATERIAL	

	Luxel Corporation PO Box 1879, 515 Tucker Ave. Friday Harbor, WA 98250 www.luxel.com 360-378-4137 fax: 360-378-4266	
	RADAK IV	

UNLESS OTHERWISE SPECIFIED,
DIMENSIONS ARE IN INCHES
TOLERANCES ON:
FRACTIONS = ± 1/16
.X = ± .03
DECIMALS: .XX = ± .01
.XXX = ± .005
ANGLES = ± .25°

SIZE	DWG NO	REV
C	R41000	
SCALE	SHEET 1 OF 1	

