

4

3

2

1

D

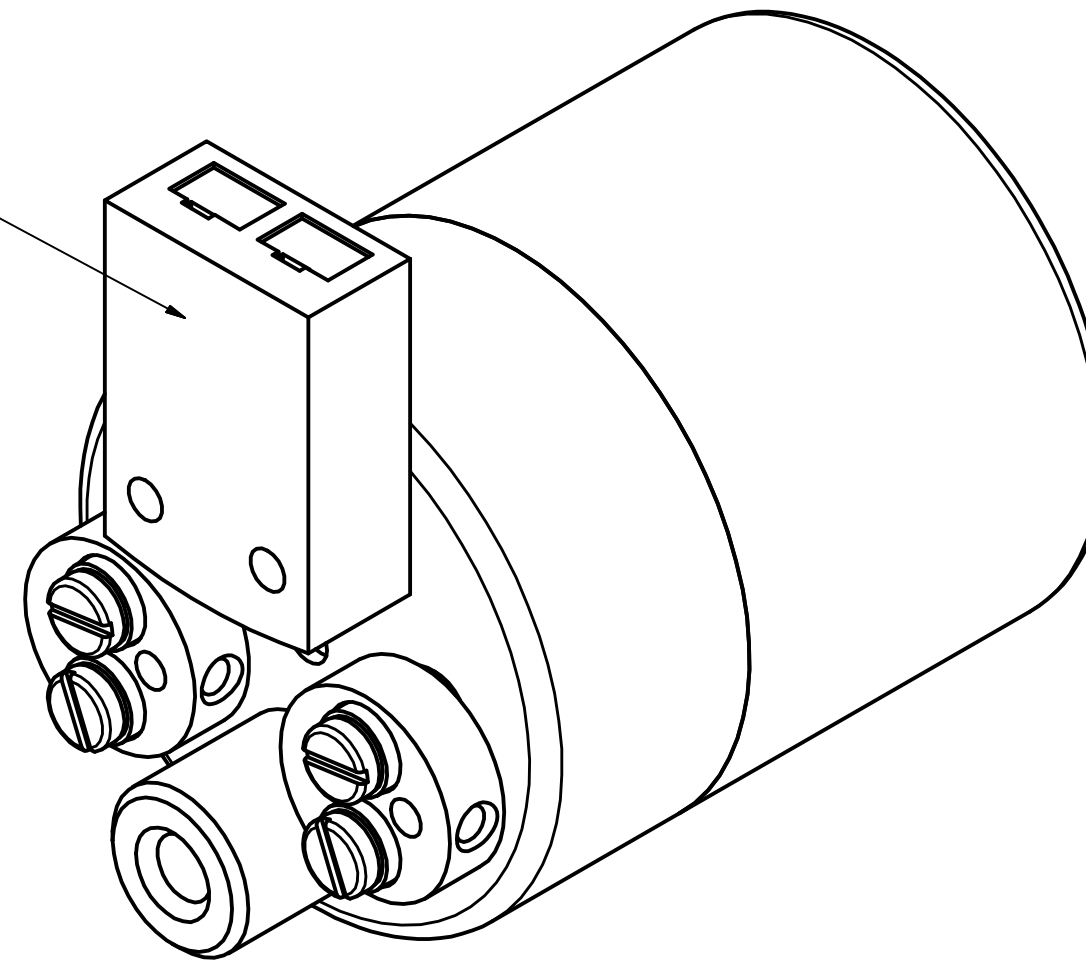
D

2.10

.50

1.40

CERAMIC
TC PLUG
STANDARD



C

C

▷

◁

B

B

Ø1.75

Ø.500

1.24

1/4-20 THREAD
STANDARD
MOUNTING BOSS

.500

A

A

4

3

2

1

DRAWN JLDG	10/6/2011		Luxel Corporation PO Box 1879, 515 Tucker Ave. Friday Harbor, WA 98250 www.luxel.com 360-378-4137 fax: 360-378-4266	
CHECKED				
MATERIAL		RADAK I		
UNLESS OTHERWISE SPECIFIED, DIMENSIONS ARE IN INCHES TOLERANCES ON: FRACTIONS = ± 1/16 .X = ± .03 DECIMALS: .XX = ± .01 .XXX = ± .005 ANGLES = ± .25°		SIZE C	DWG NO R11000	REV
		SCALE	SHEET 1 OF 1	